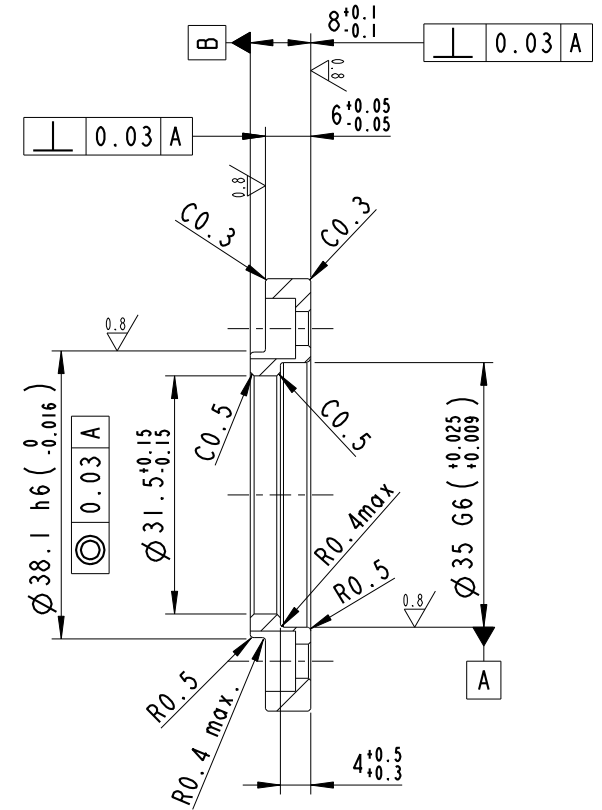
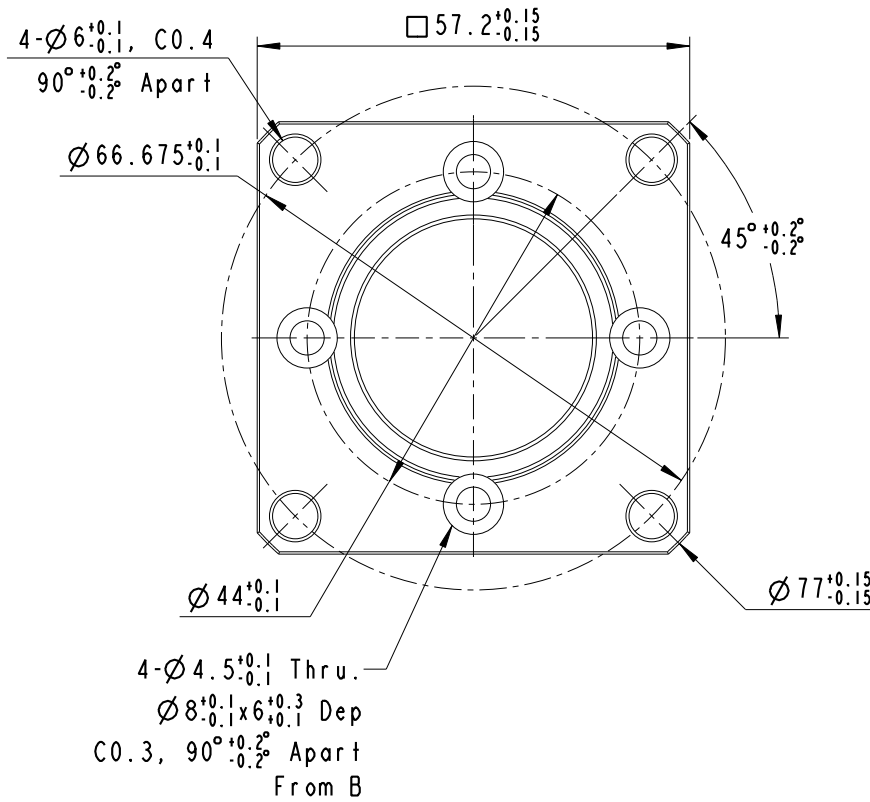



SCALE 4:5



Old Part No. PF110002
 Hardness 60 ± 5 HRB
 Mass = 0.036 Kg

PART NO.		 APEX DYNAMICS, INC.		
APPROVALS	DATE	TITLE AE050-NEMA 23		
DRAWN Nadia		DWG NO. P1110100002		
CHECKED		SIZE A4	SCALE 1:1	REV
APPROVED		