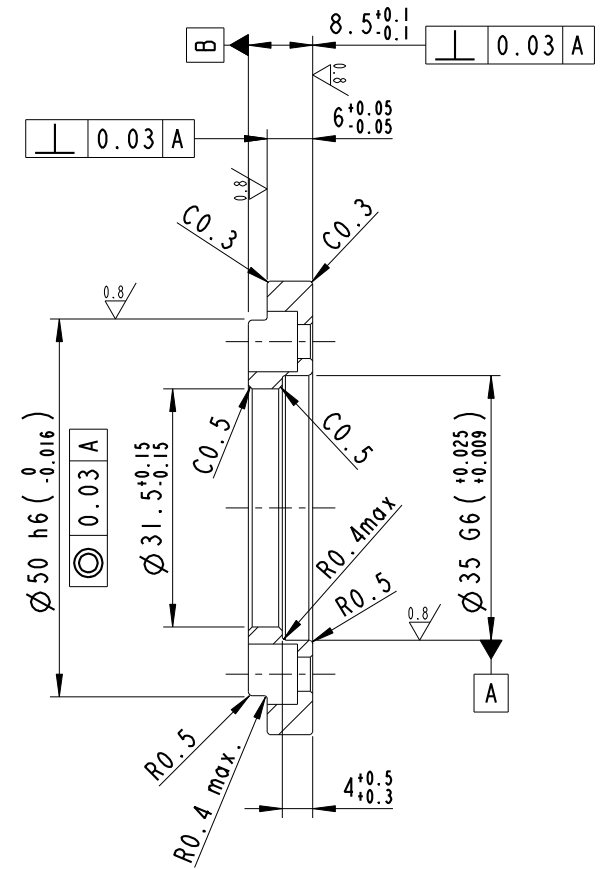
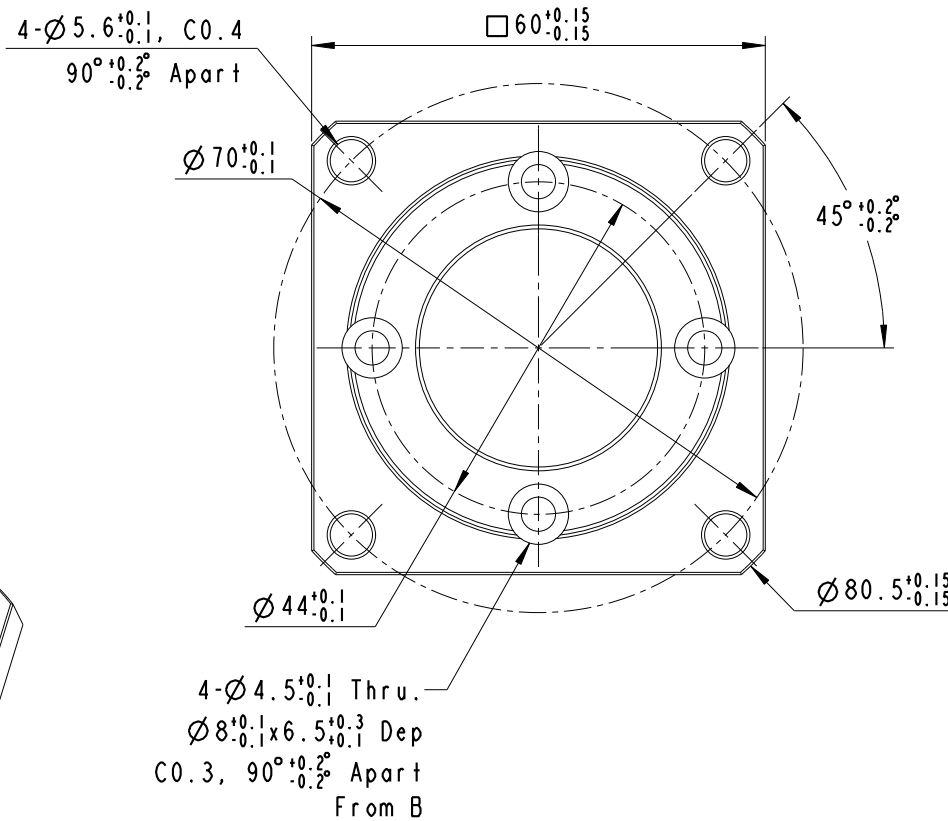



SCALE 4:5



Old Part No. PF110003  
 Hardness  $60 \pm 5$  HRB  
 Mass = 0.046 Kg

PART NO.		 <b>APEX DYNAMICS, INC.</b>		
APPROVALS	DATE	TITLE AE050-PX60		
DRAWN Nadia		DWG NO. P1110100003		
CHECKED		SIZE A4	SCALE 1:1	REV
APPROVED		