

4- $\varnothing 6.6^{+0.1}_{-0.1}$ , C0.4  
 $90^{\circ \pm 0.2^{\circ}}$  Apart

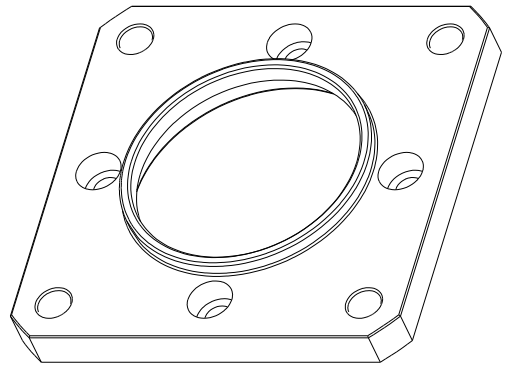
$\varnothing 90^{+0.1}_{-0.1}$

$45^{\circ \pm 0.2^{\circ}}$

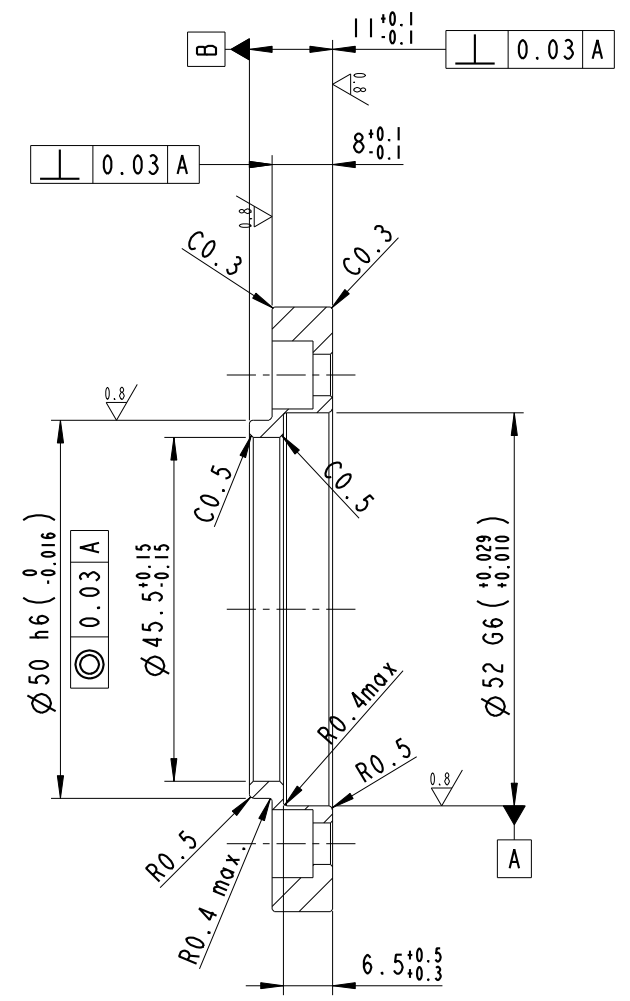
$\varnothing 62^{+0.1}_{-0.1}$

$\varnothing 106^{+0.15}_{-0.15}$


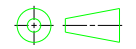
4- $\varnothing 5.5^{+0.1}_{-0.1}$  Thru.  
 $\varnothing 9^{+0.1}_{-0.1} \times 8.4^{+0.3}_{-0.1}$  Dep  
 C0.3,  $90^{\circ \pm 0.2^{\circ}}$  Apart  
 From B



SCALE 7:10



Old Part No. PF120001  
 Hardness  $60 \pm 5$  HRB  
 Mass = 0.088 Kg

PART NO.		 <b>APEX DYNAMICS, INC.</b>		
APPROVALS	DATE	TITLE AE070-Mertic		
DRAWN Nadia		DWG NO. PI110200001		
CHECKED				
APPROVED		 SIZE A4	SCALE 1:1	REV