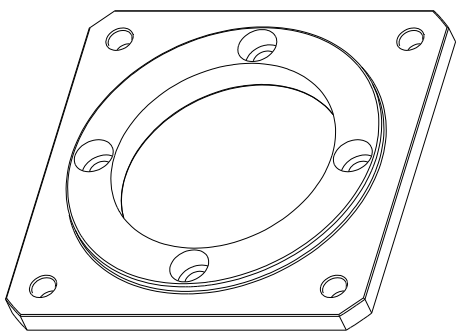
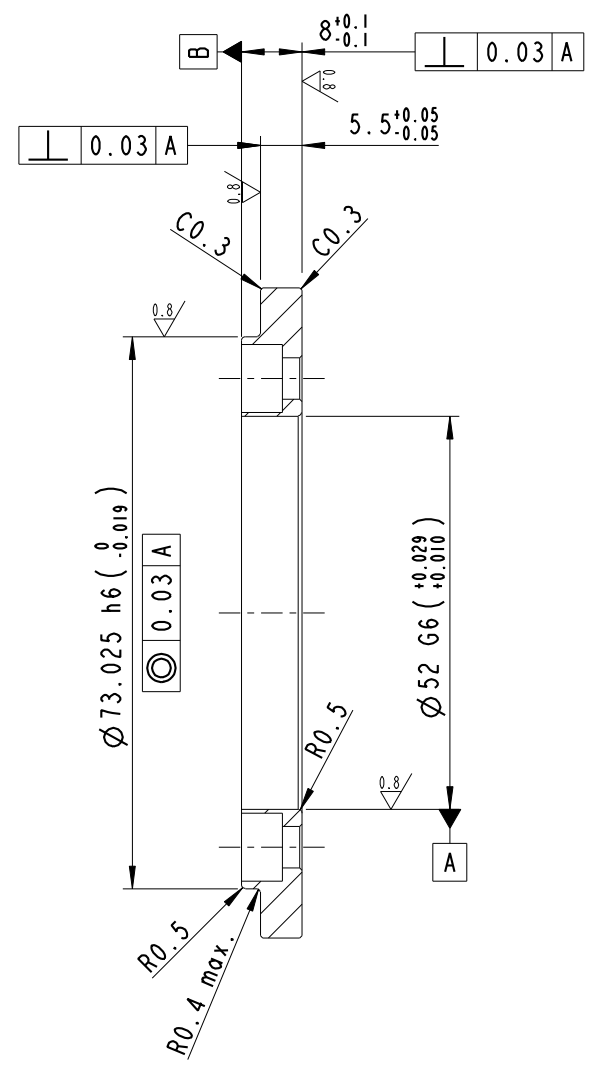



$4-\varnothing 5.5^{+0.1}_{-0.1}$ Thru.
 $\varnothing 9^{+0.1}_{-0.1} \times 5.4^{+0.3}_{-0.1}$ Dep
 C0.3, $90^{\circ \pm 0.2^{\circ}}$ Apart
 From B



SCALE 3:5



Old Part No. PF120002
 Hardness 60 ± 5 HRB
 Mass = 0.086 Kg

| | | | | |
|----------------|------|--|--|--|
| PART NO. | |  APEX DYNAMICS, INC. | | |
| APPROVALS | DATE | TITLE AE070-NEMA 34 | | |
| DRAWN Nadia | | DWG NO. P1110200002 | | |
| CHECKED | | SCALE A4 | | |
| APPROVED | | SCALE 1:1 | | |
| | | REV | | |