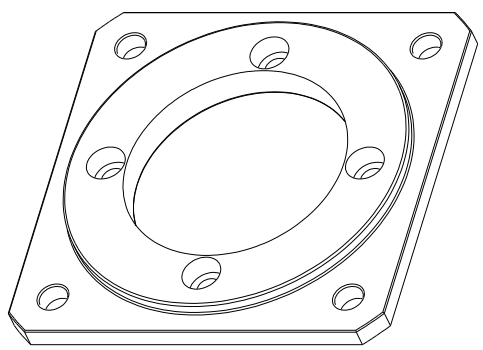
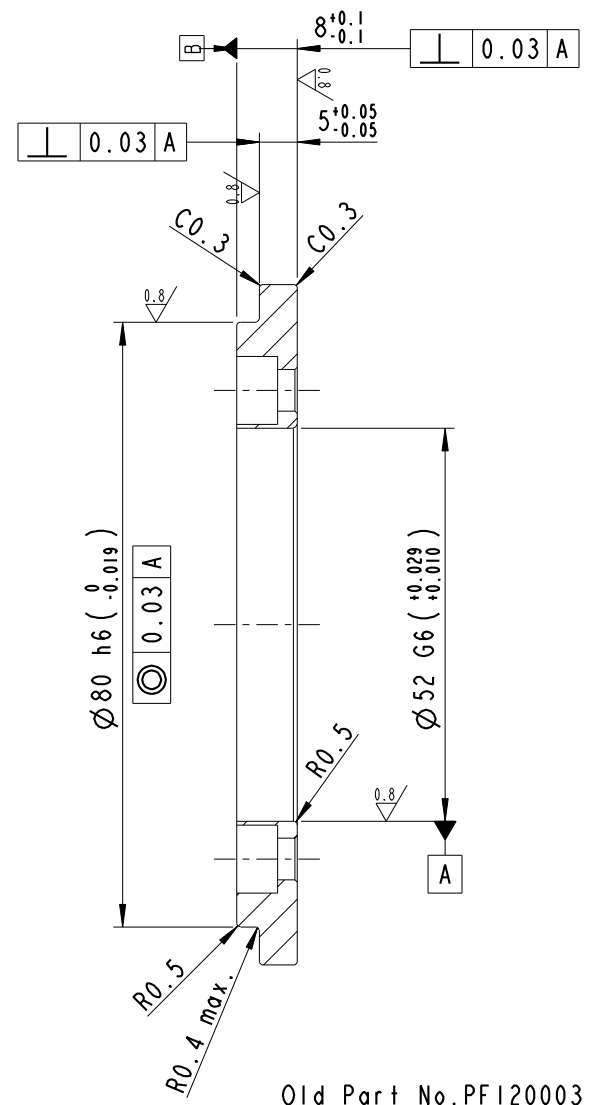

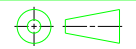


$4-\varnothing 5.5^{+0.1}_{-0.1}$  Thru.  
 $\varnothing 9^{+0.1}_{-0.1} \times 5.4^{+0.3}_{-0.1}$  Dep  
 $C0.3, 90^{\circ \pm 0.2^{\circ}}$  Apart  
 From B



SCALE 3:5



PART NO.		 <b>APEX DYNAMICS, INC.</b>	
APPROVALS	DATE	TITLE	
DRAWN	Nadia	AE070-DT90/PX90	
CHECKED		DWG NO.	PI110200003
APPROVED			SIZE A4 SCALE 1:1 REV