

4- $\varnothing 9^{+0.1}_{-0.1}$ , C0.6  
 $90^{\circ \pm 0.2}_{-0.2}$  Apart

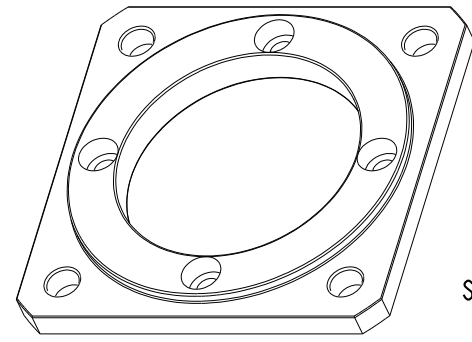
$\varnothing 115^{+0.1}_{-0.1}$

$\varnothing 80^{+0.1}_{-0.1}$

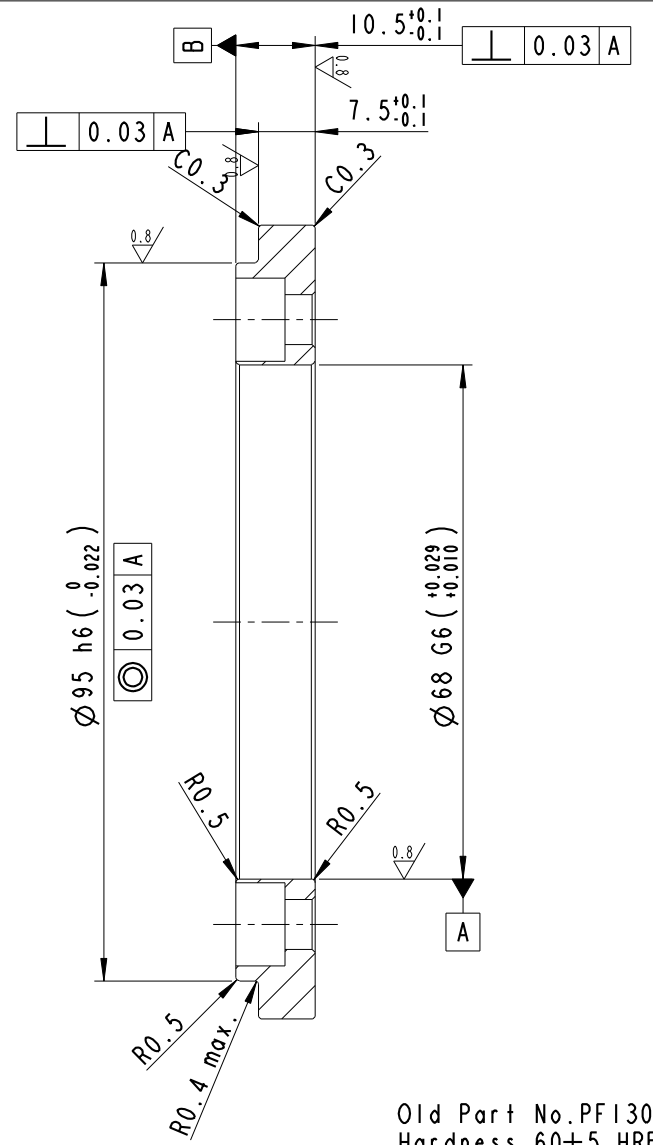
$45^{\circ \pm 0.2}_{-0.2}$

$\varnothing 140^{+0.2}_{-0.2}$


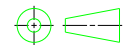
4- $\varnothing 6.6^{+0.1}_{-0.1}$  Thru.  
 $\varnothing 11^{+0.1}_{-0.1} \times 6.5^{+0.3}_{+0.1}$  Dep  
 C0.4,  $90^{\circ \pm 0.2}_{-0.2}$  Apart  
 From B



SCALE 1:2



Old Part No. PF130001  
 Hardness 60±5 HRB  
 Mass = 0.163 Kg

|                |      |  |              |     |
|----------------|------|--|--------------|-----|
| PART NO.       |      |  <b>APEX DYNAMICS, INC.</b> |              |     |
| APPROVALS      | DATE | TITLE<br>AE090-IEC 63D B5  |              |     |
| DRAWN<br>Nadia |      | DWG NO.<br>PI110300001   |              |     |
| CHECKED        |      | SIZE<br>A4   | SCALE<br>1:1 | REV |
| APPROVED       |      |                             |              |     |