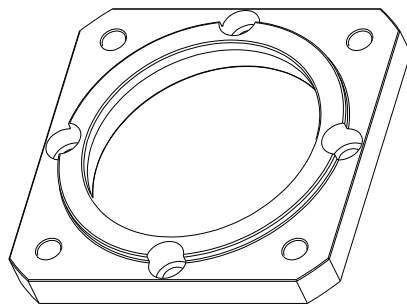
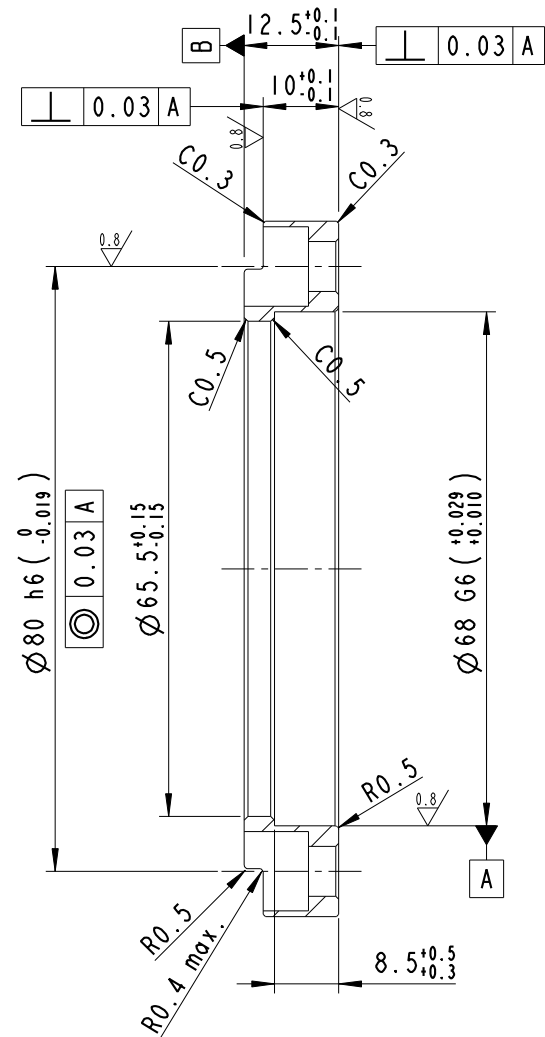



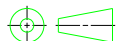
$4-\phi 6.6^{+0.1}_{-0.1}$ Thru.
 $\phi 10.5^{+0.1}_{-0.1} \times 8.5^{+0.3}_{-0.1}$ Dep
 $C0.4, 90^{\circ \pm 0.2^{\circ}}$ Apart
 From B



SCALE 1:2



Old Part No. PF130004
 Hardness 60 ± 5 HRB
 Mass = 0.128 Kg

PART NO.		 APEX DYNAMICS, INC.	
APPROVALS	DATE	TITLE	
DRAWN	Nadia	AE090-NEMA DT90/PX90	
CHECKED		DWG NO.	
APPROVED		PI110300004	
		 SIZE A4	SCALE 1:1
			REV