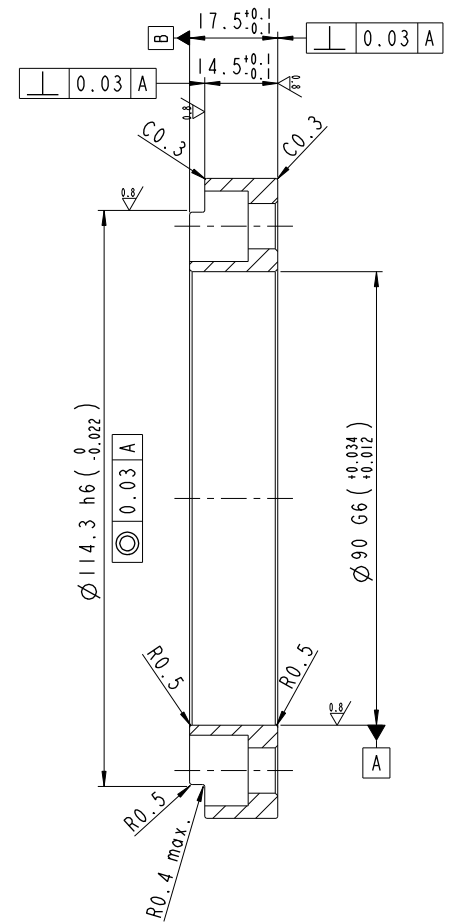





SCALE 1:2



Old Part No. PF140001  
 Hardness  $60 \pm 5$  HRB  
 Mass = 0.382 Kg

PART NO.		 <b>APEX DYNAMICS, INC.</b>	
APPROVALS	DATE	TITLE	
DRAWN	Nadia	AE120-NEMA 56	
CHECKED		DWG NO.	
APPROVED		P1110400001	
			SIZE A3
			SCALE 1:1
			REV