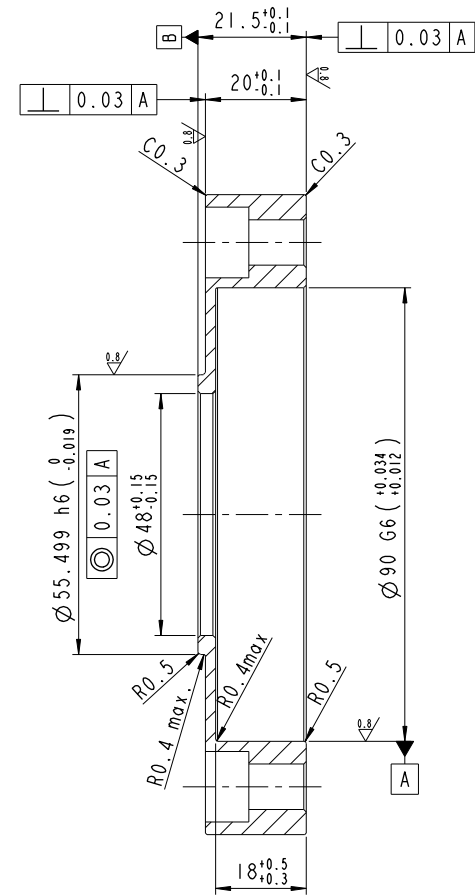

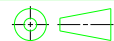


SCALE 1:2



Old Part No. PF140002
 Hardness 60 ± 5 HRB
 Mass = 0.518 Kg

PART NO.		 APEX DYNAMICS, INC.		
APPROVALS	DATE	TITLE		
DRAWN	Nadia	AE120-NEMA 42		
CHECKED		DWG NO.		
APPROVED		PI110400002		
			SIZE A3	SCALE 1:1
				REV